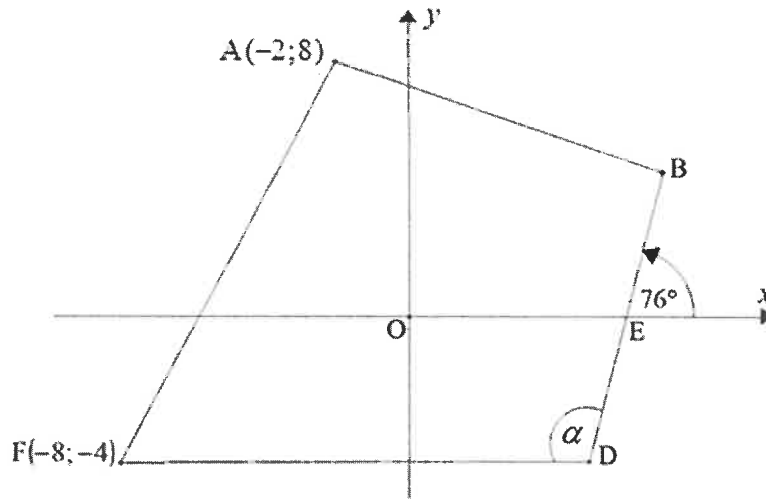


PLEASE FOLLOW THESE INSTRUCTIONS CAREFULLY	VOLG ASSEBLIEF HIERDIE INSTRUKSIES NOUKEURIG
1. Your examination number and centre number must be clearly written in the space provided and attach your examination number sticker in the space provided.	1. Skryf jou eksamennummer en sentrumnummer duidelik in die ruimtes verskaf en plak jou eksamennummeretiket in die ruimte verskaf.
2. Remember that your own name (or the name of your school) may not appear anywhere on or in this answer book.	2. Onthou dat jou eie naam (of die naam van jou skool) nie op of in hierdie antwoordeboek mag voorkom nie.
3. Answer ALL questions in the spaces provided.	3. Beantwoord ALLE vrae in die ruimtes wat verskaf is.
4. No pages may be torn from this answer book.	4. Geen bladsye mag uit hierdie antwoordeboek geskeur word nie.
5. Read the instructions printed on your timetable carefully as well as any other instructions which may be given in each examination paper.	5. Lees die instruksies wat op jou eksamenrooster gedruk is sorgvuldig deur, asook enige ander instruksies wat in elke eksamenvraestel gegee word.
6. Candidates may not retain an answer book or remove it from the examination room. Answer books must be returned to the Invigilator at the end of the examination session.	6. Geen antwoordeboek mag deur die kandidaat behou of uit die eksamenlokaal verwyder word nie. Antwoordeboeke moet aan die einde van die eksamensessie aan die toesighouer terugbesorg word.
7. Answers must be written in black/blue ink as distinctly as possible. Do NOT write in the margins.	7. Skryf die antwoorde so duidelik moontlik met swart/blou ink. MOENIE in die kantlyn skryf NIE.
8. Indicate the questions you have answered by drawing a circle around the relevant numbers on the front cover of the answer book where marks are to be recorded.	8. Dui die vrae wat jy beantwoord het op die voorblad van die antwoordeboek aan, waar die punte aangebring word, deur 'n kringetjie om die nommers van die vrae wat jy beantwoord het, te trek.
9. Draw a line through any work/rough work that must not be marked.	9. Trek 'n lyn deur enige werk/rofwerk wat nie nagesien moet word nie.
10. In the event that you use the additional space provided: 10.1 Write down the question number 10.2 Leave a line and rule off after your answer	10. In geval jy die bykomende ruimte wat verskaf is, gebruik: 10.1 Skryf die vraagnommer neer 10.2 Laat 'n lyn oop en trek 'n lyn na jou antwoord

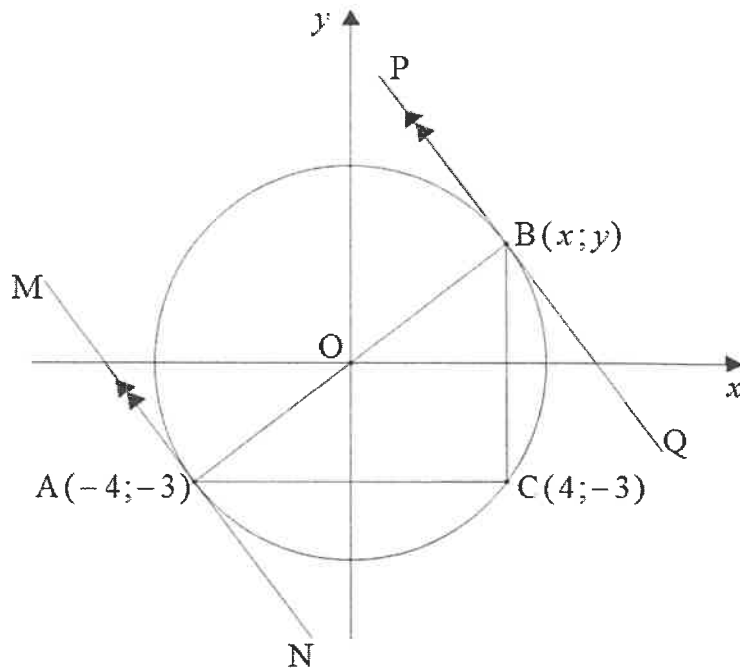
QUESTION/VRAAG 1



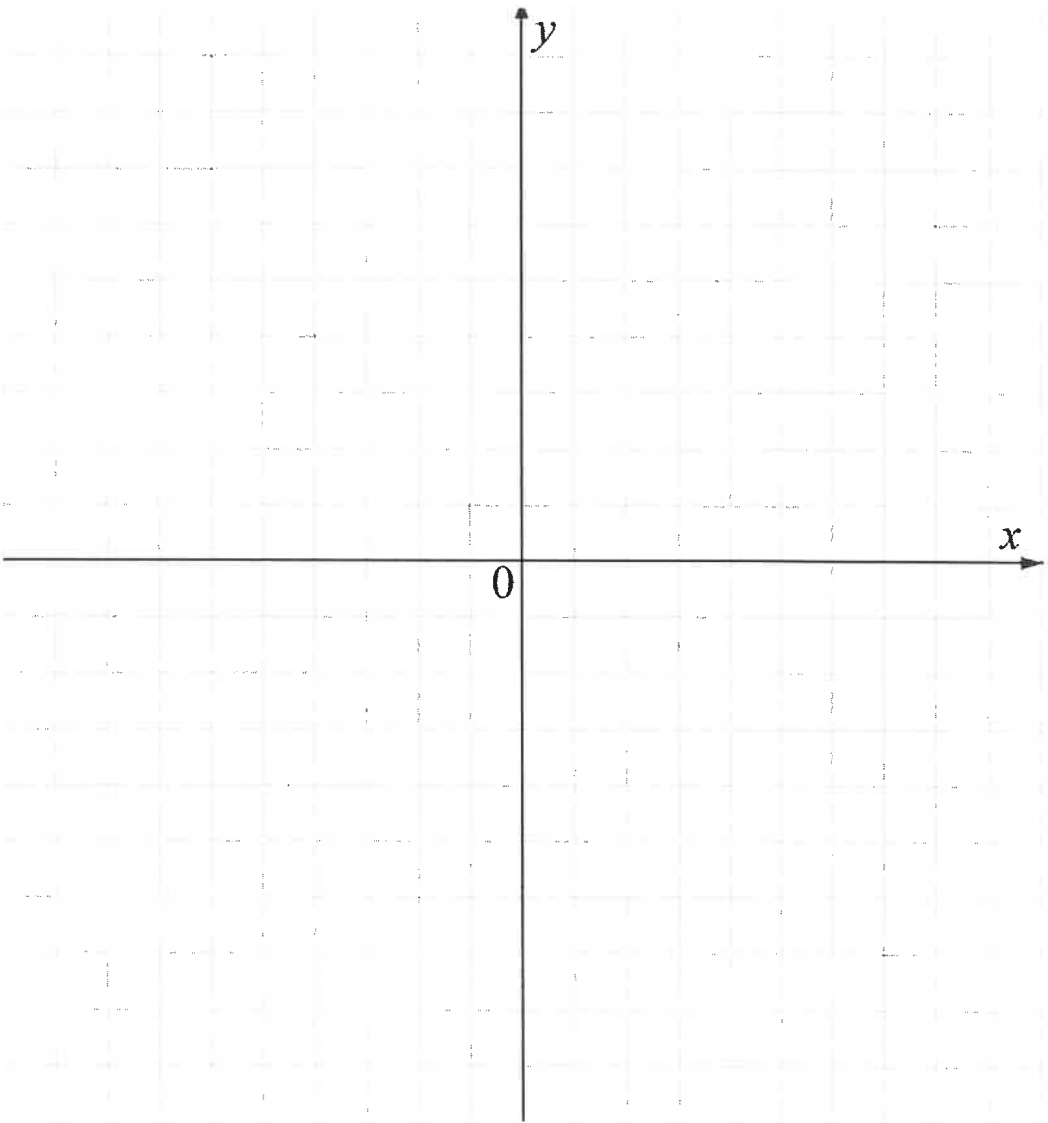
	Solution/Oplissing	Marks Punte
1.1		(1)
1.2		(2)
1.3		(2)

	Solution/Oplissing	Marks Punte
1.4		(2)
1.5		(5)
		[12]

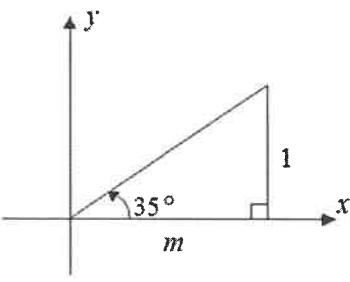
QUESTION/VRAAG 2



	Solution/Oplissing	Marks Punte
2.1.1		(2)
2.1.2(a)		(1)
2.1.2(b)		(1)
2.1.3		(3)

	Solution/Oplissing	Marks Punte
2.2.1	<div style="border: 1px solid black; height: 185px; width: 100%;"></div>	(2)
2.2.2		
		[12]

QUESTION/VRAAG 3

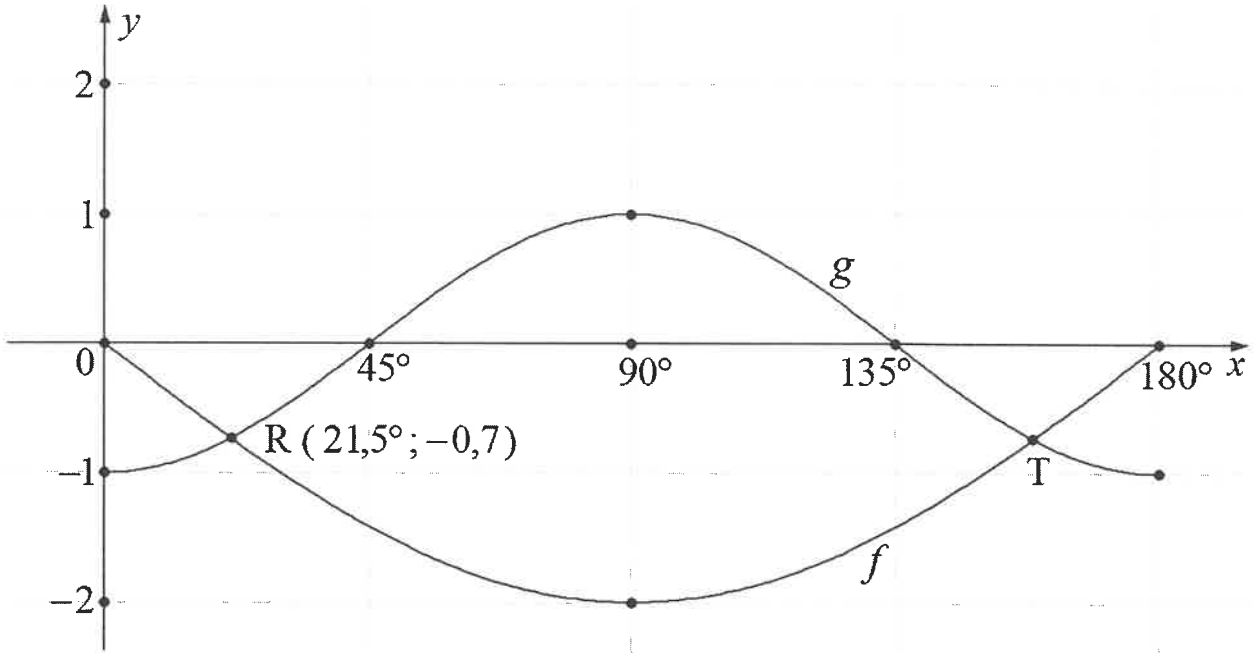
	Solution/Oplissing	Marks Punte
3.1.1		(1)
3.1.2		(2)
3.2.1		(2)
3.2.2		(5)

	Solution/Oplissing	Marks Punte
3.3.1		
3.3.2		
		(4) [16]

QUESTION/VRAAG 4

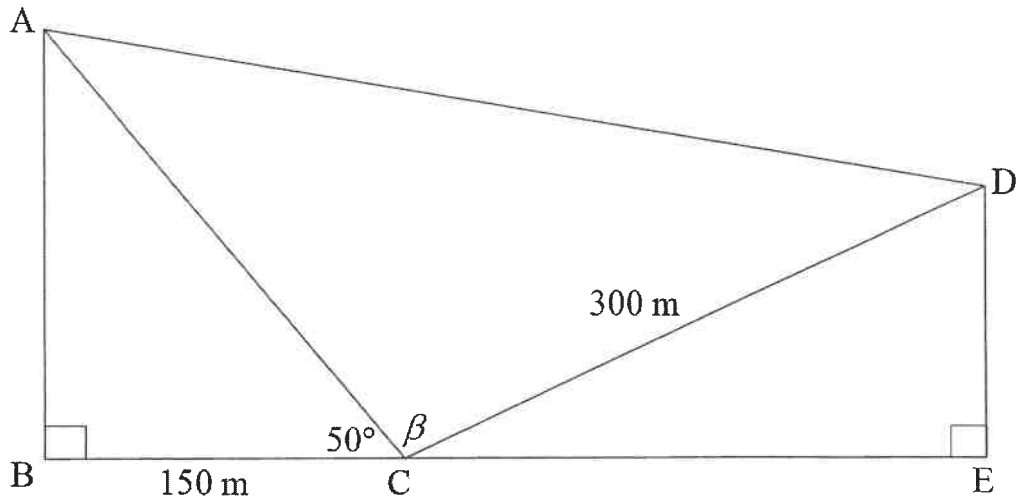
	Solution/Oplissing	Marks Punte
4.1.1		(1)
4.1.2		(5)
4.2.1		(1)
4.2.2		(5)
	[12]	

QUESTION/VRAAG 5



	Solution/Oplissing	Marks Punte
5.1		(1)
5.2		(2)
5.3		(2)
5.4.1		(2)
5.4.2		(2)
		[9]

QUESTION/VRAAG 6

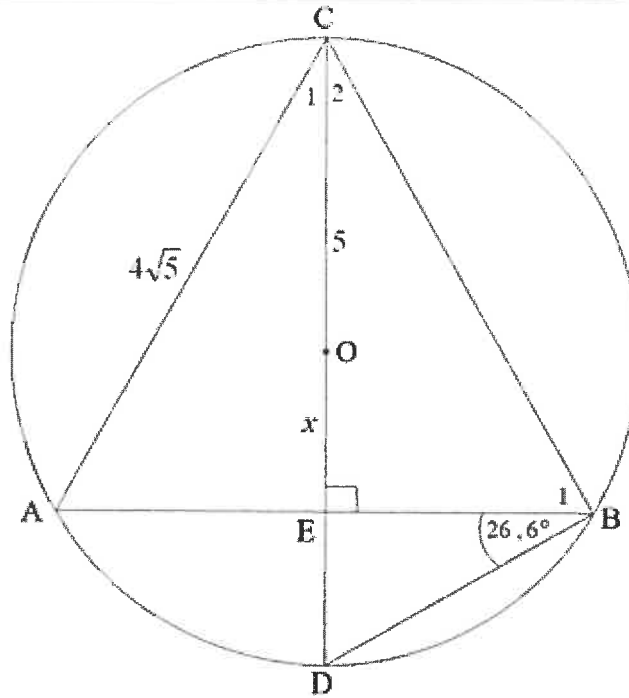


	Solution/Oplissing	Marks Punte
6.1		(3)
6.2		(5)
6.3		(4)
		[12]

Give reasons for your statements in QUESTIONS 7, 8 and 11.
 Gee redes vir jou bewerings in VRAAG 7, 8 en 9.

QUESTION/VRAAG 7

	Solution/Oplissing	Marks Punte
7.1		(1)



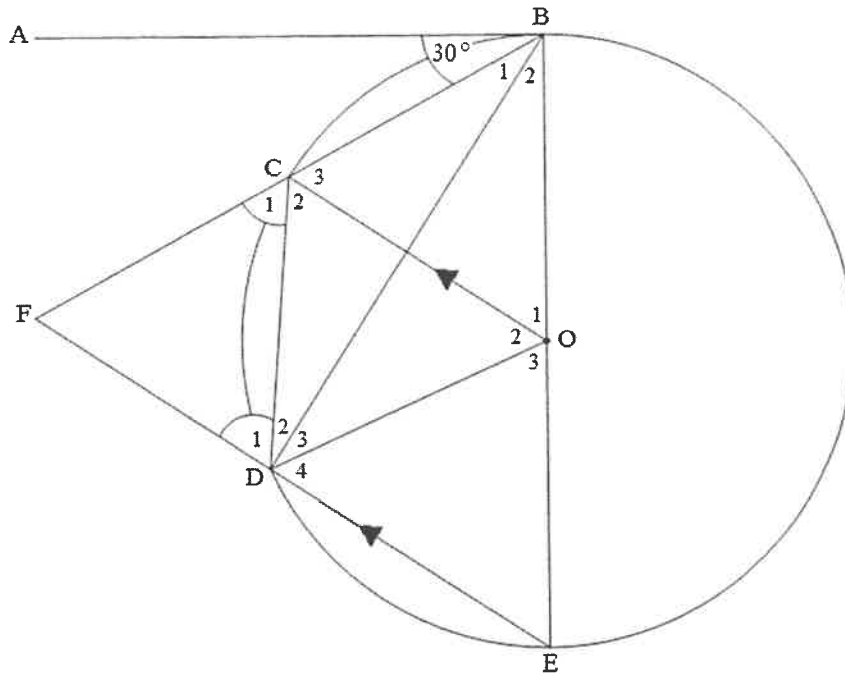
	Solution/Oplissing	Marks Punte
7.2.1(a)		(2)
7.2.1(b)		(1)
7.2.1(c)		(2)

	Solution/Oplissing	Marks Punte
7.2.2(a)		(1)
7.2.2(b)		(1)
7.2.3		(4)
		[12]

QUESTION/VRAAG 8

	Solution/Oplissing	Marks Punte
8.1		(1)

8.2



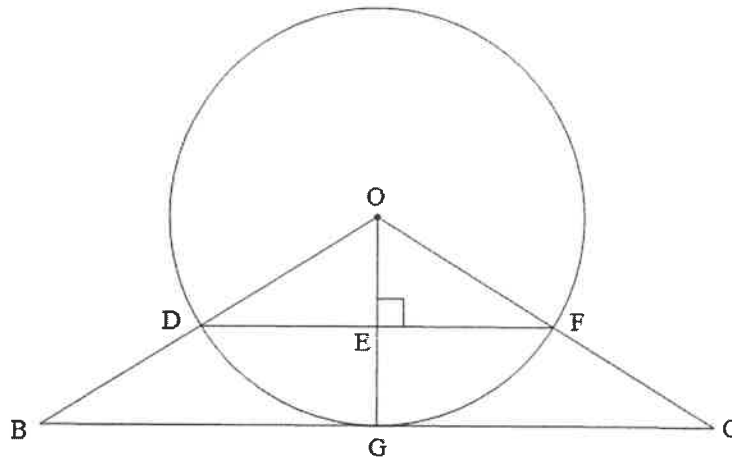
	Solution/Oplissing	Marks Punte
8.2.1(a)		(2)
8.2.1(b)		(2)
8.2.1(c)		(2)

	Solution/Oplissing	Marks Punte
8.2.1(d)		(3)
8.2.2		(4)
		[14]

QUESTION/VRAAG 9

	Solution/Oplissing	Marks Punte
9.1		(1)

9.2

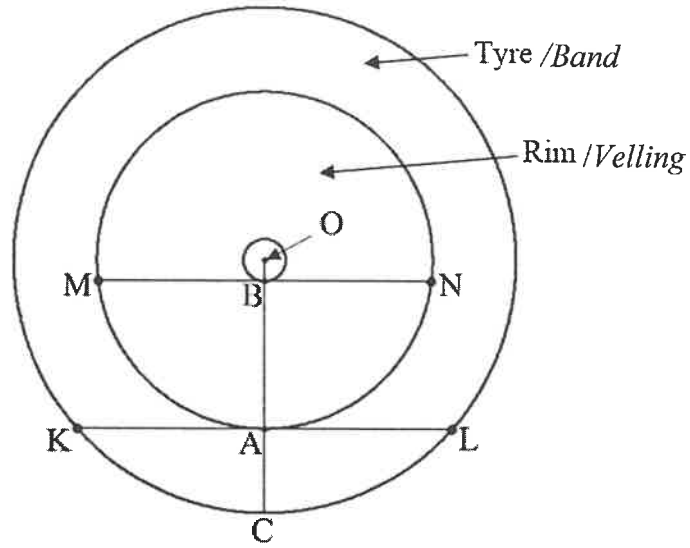


	Solution/Oplissing	Marks Punte
9.2.1		(3)
9.2.2(a)		(2)
9.2.2(b)		(3)

	Solution/Oplissing	Marks Punte
9.2.2(c)		(3)
9.3		(3)
		[15]

QUESTION/VRAAG 10

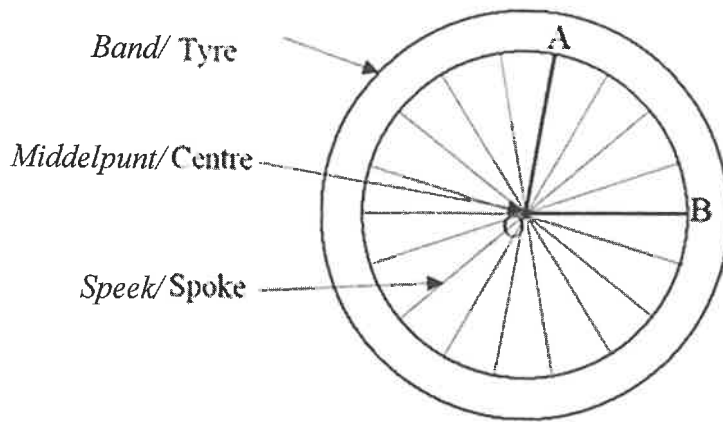
10.1



	Solution/Oplissing	Marks Punte
10.1.1		(1)
10.1.2		(5)

	Solution/Oplossing	Marks Punte
10.1.3		(3)
10.1.4		(4)

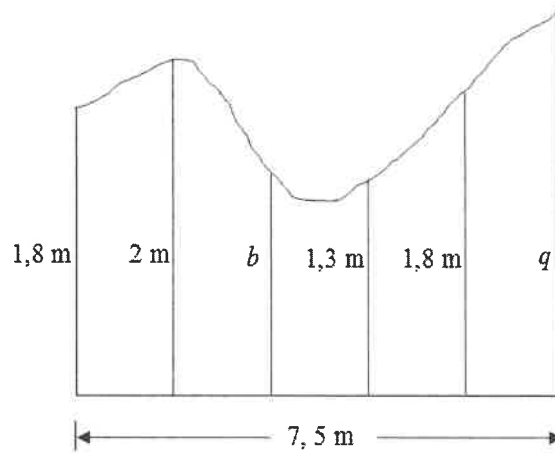
10.2



	Solution/Oplissing	Marks Punte
10.2.1		(3)
10.2.2		(3)
10.2.3		(3)
		(3)
		[22]

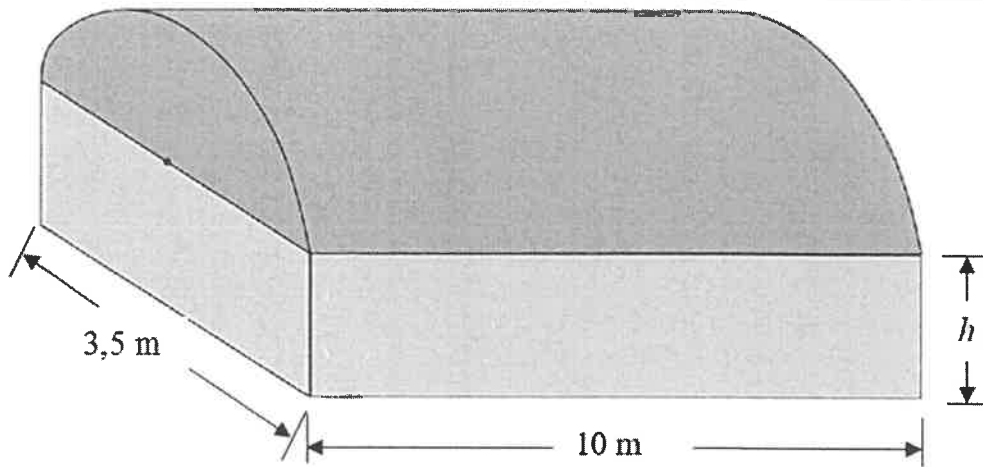
QUESTION/VRAAG 11

11.1



	Solution/Oplissing	Marks Punte
11.1.1		(1)
11.1.2		(5)

11.2



The following formulae may be used:

Total surface area of a right cylinder = $2\pi r^2 + 2\pi r h$

Area of a rectangle = length \times breadth

Volume of a right prism = (Area of the base) \times height

Die volgende formules kan gebruik word:

Totale oppervlakte van 'n regte silinder = $2\pi r^2 + 2\pi r h$

Oppervlakte van 'n reghoek = lengte \times breedte

Volume van 'n regte prisma = (Oppervlakte van die basis) \times hoogte

	Solution/Oplissing	Marks Punte
11.2.1		(1)
11.2.2		(1)
11.2.3		(6)
	[14]	

