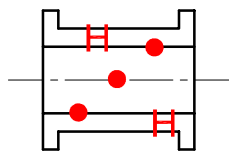


ANSWERS			
1	2013-11-04	1	
2	K CIZAKE	1	
3	01-NOV-13	1	
4	P. MOOLMAN	1	
5	Ø46	1	
6	NORMALISING	1	
7	MILLING	1	
8	± 0,3	1	
9		3	
10	OIL HOLE	1	
11	REVOLVED SECTIONED	1	
12	C 150° D 207 E 32	3	
13	0,8 x M12 = 9,6	2	
14	STUD	1	
15	MEASUREMENT LINE IS EXTENDED/CONTINUING TO THE TOTAL LENGTH OF 150 mm	1	
16	SYMMETRY	1	
17	7	1	
18	PREVENTING THE BEARING HALVES FROM SLIDING OUT	2	
19	KEY	2	
20		4	
TOTAL		30	

ANSWER 9

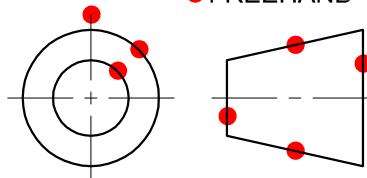
● FREEHAND



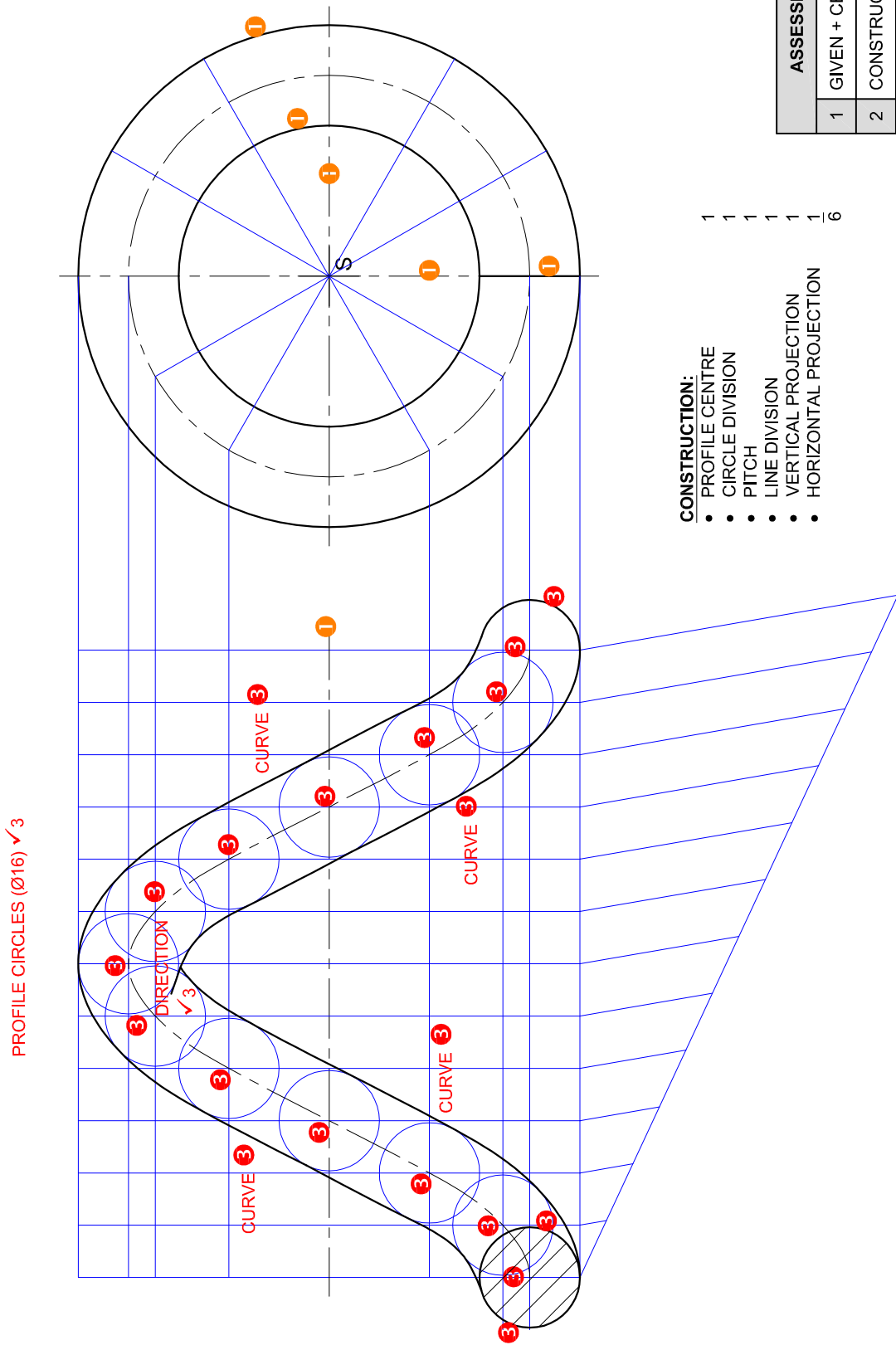
NOTE: NO MARK ALLOCATE IF HATCHED

ANSWER 20

● FREEHAND



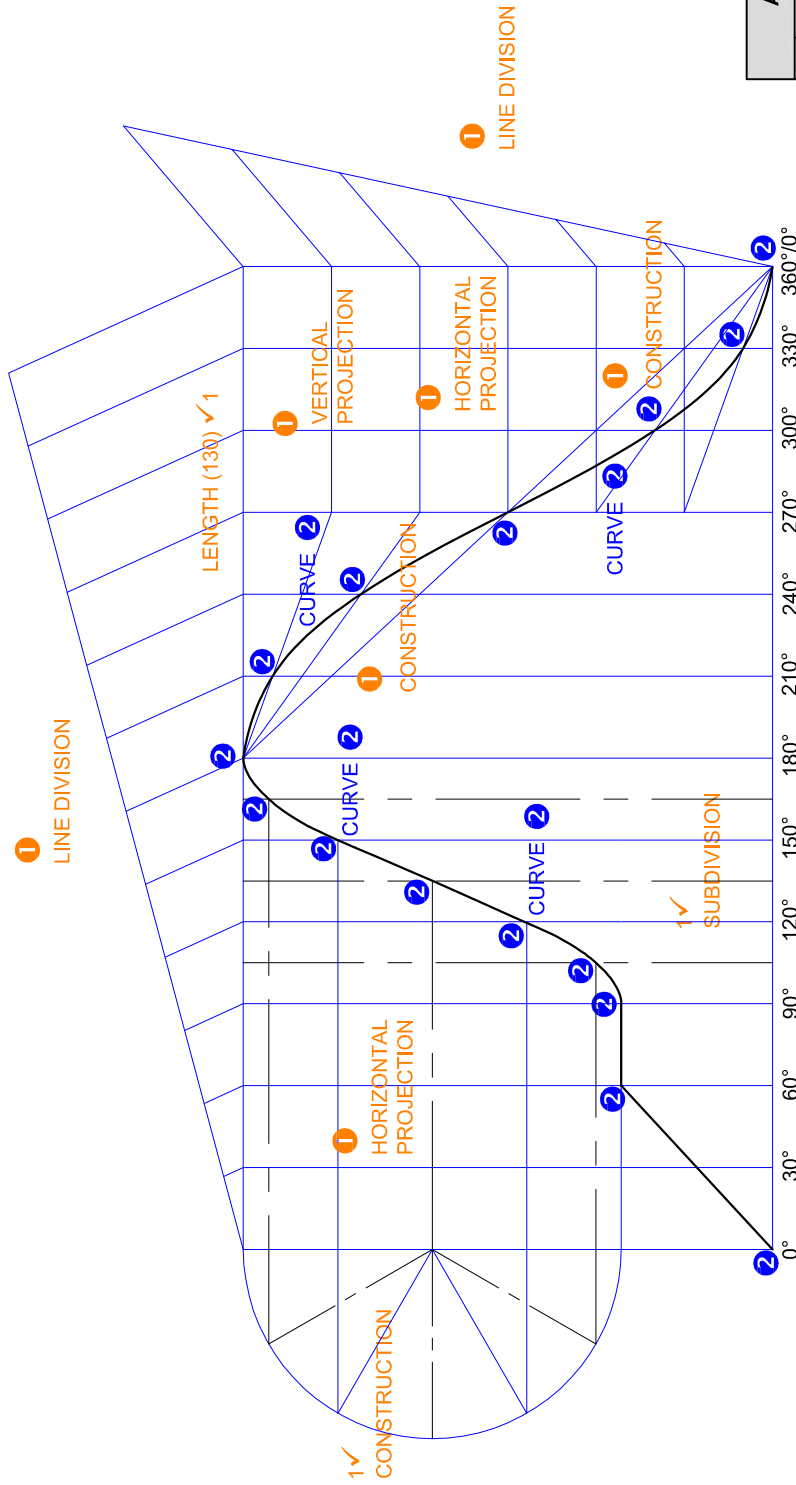
SYMBOL



- CONSTRUCTION:**
- PROFILE CENTRE 1
 - CIRCLE DIVISION 1
 - PITCH 1
 - LINE DIVISION 1
 - VERTICAL PROJECTION 1
 - HORIZONTAL PROJECTION 1
- 6

ASSESSMENT CRITERIA	
1	GIVEN + CENTRE LINES 3
2	CONSTRUCTION 6
3	POINTS + CURVES 12
PENALTIES (-)	
SUBTOTAL 2.1 21	

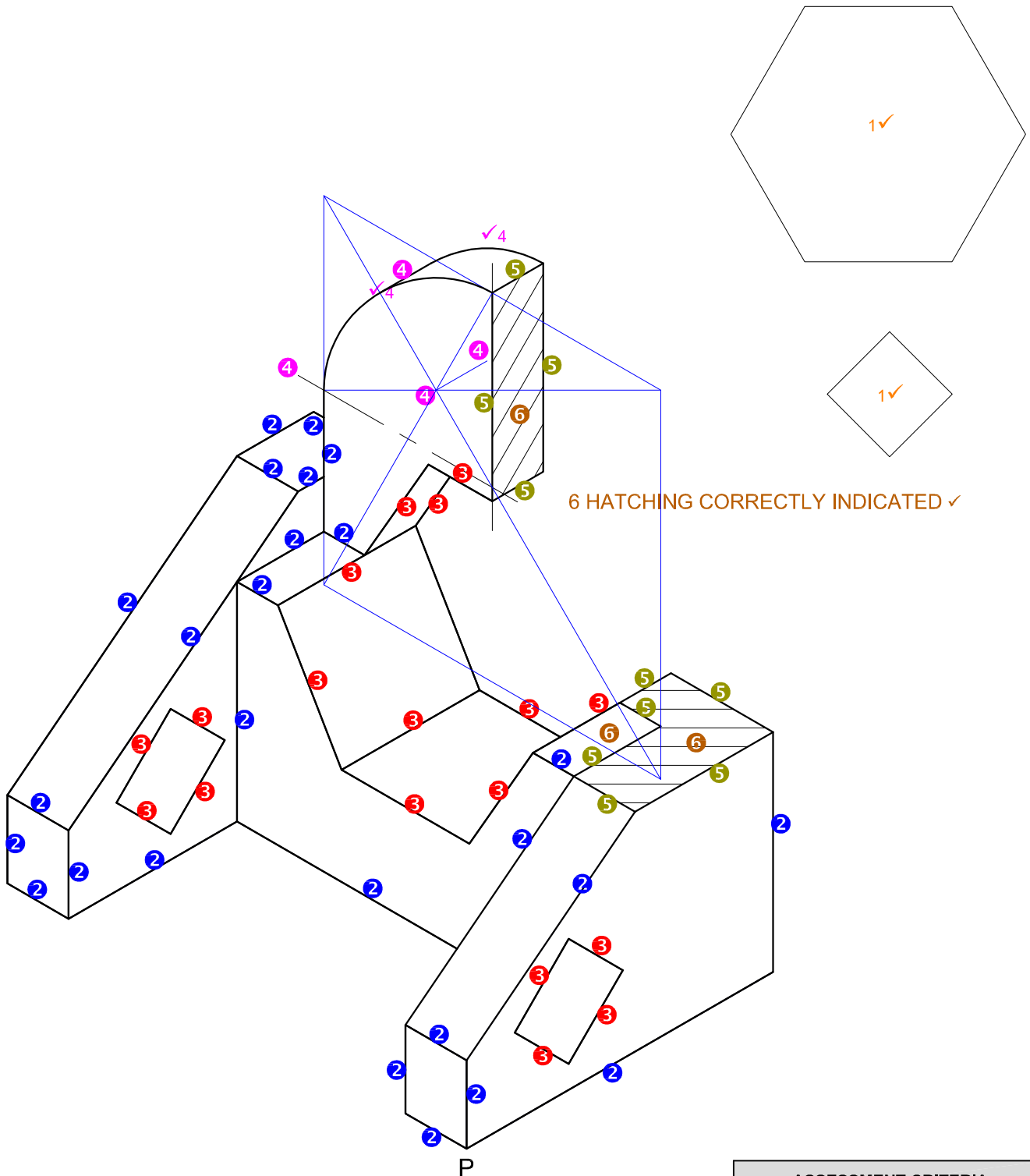
PAPER 2 QUESTION 2.1
 GRADE 12
 DBE/November 2014
 MEMORANDUM



DISPLACEMENT GRAPH 3
 SCALE: 360° = 130 mm 3

PAPER 2 QUESTION 2.2
 GRADE 12
 DBE/November 2014
 MEMORANDUM

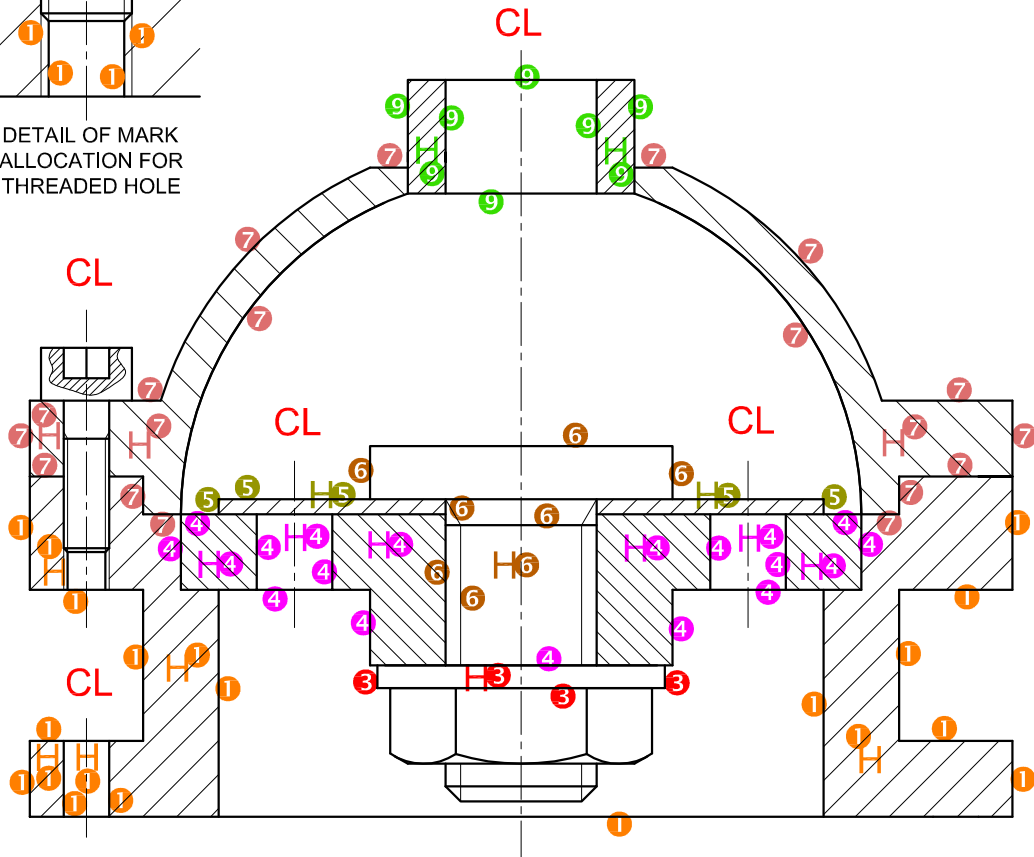
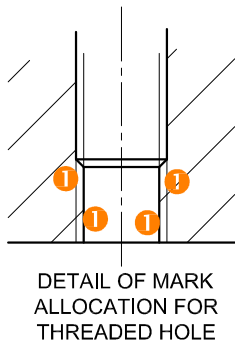
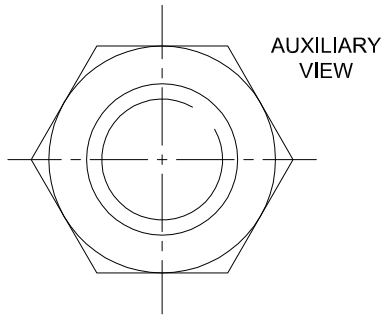
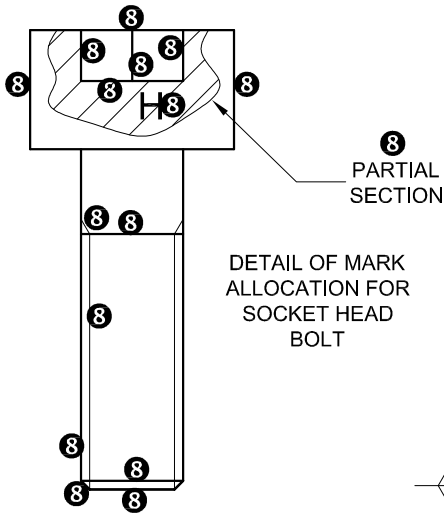
ASSESSMENT CRITERIA	
1	CONSTRUCTION 6½
2	POINTS + CURVES 9½
3	LABELS 1
PENALTIES (-)	
2.2 SUBTOTAL 17	
2.1 SUBTOTAL 21	
TOTAL 38	



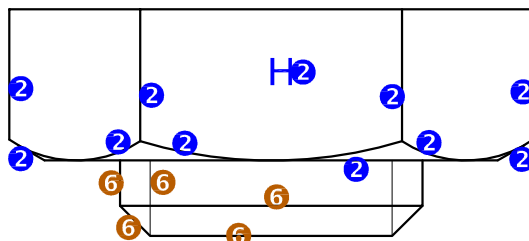
CORRECT PLACEMENT ON POINT P ✓

PAPER 2 QUESTION 3
 GRADE 12
 November 2014
 MEMORANDUM

ASSESSMENT CRITERIA		
1	AUX. VIEW + PLACING	3
2	ISOMETRIC + NON-ISO'	13
3	HEXAGON + SQUARES	9½
4	CIRCLES + CONST.	4
5	SECTION	5
6	HATCHING	2½
PENALTIES (-)		
TOTAL		37



HEIGHT 2

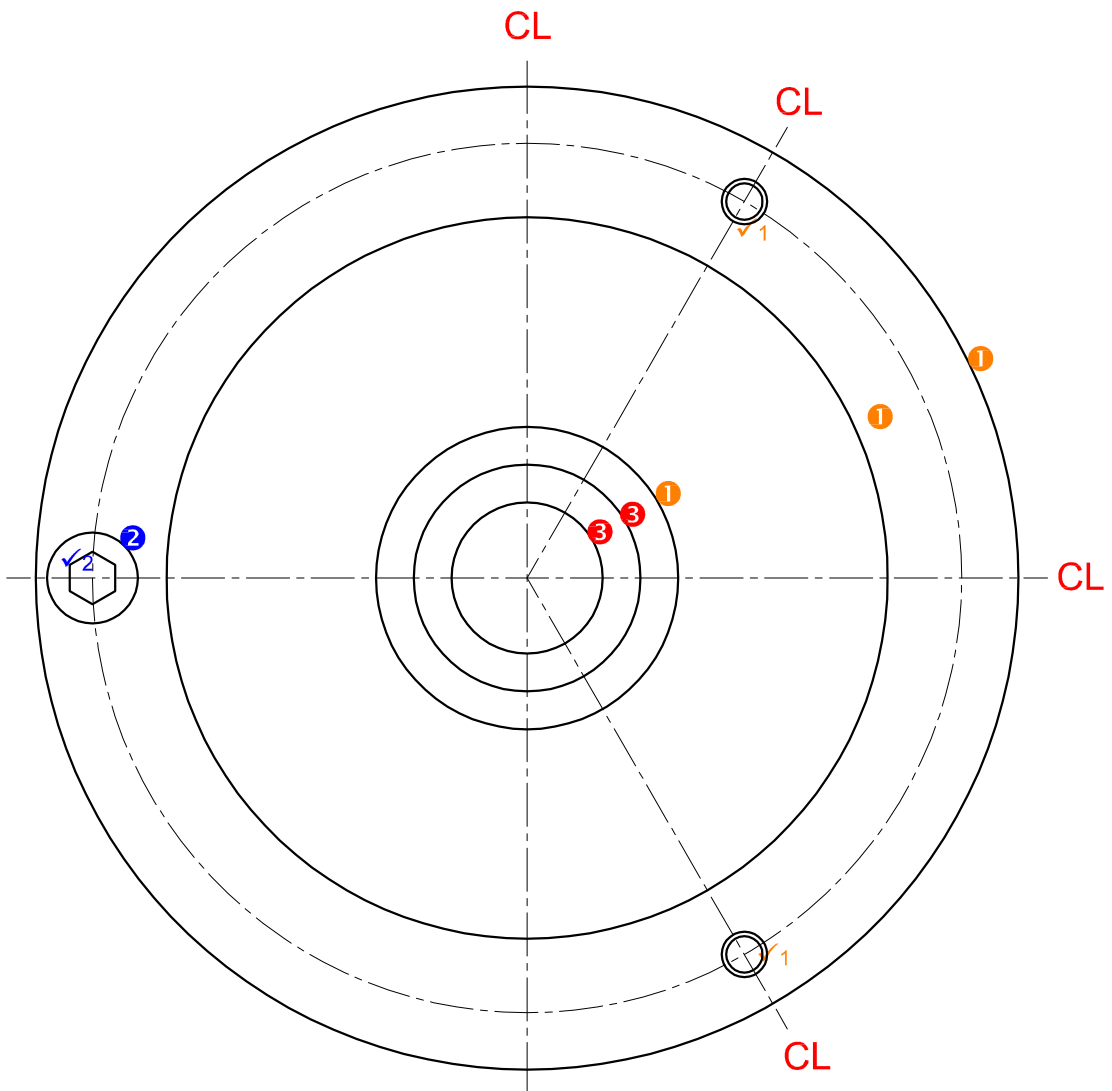


DETAIL OF MARK ALLOCATION FOR NUT AND BOLT

ASSESSMENT CRITERIA		
SECTIONAL FRONT VIEW		
		POSSIBLE
1	CYLINDER	12
2	M20 NUT	6
3	WASHER	2
4	VALVE PLATE	9 1/2
5	DIAPHRAGM	2 1/2
6	FLANGE STUD	6 1/2
7	CYLINDER HEAD	9 1/2
8	SOCKET HEAD BOLT	8
9	OUTLET PIPE	4
SUBTOTAL		60

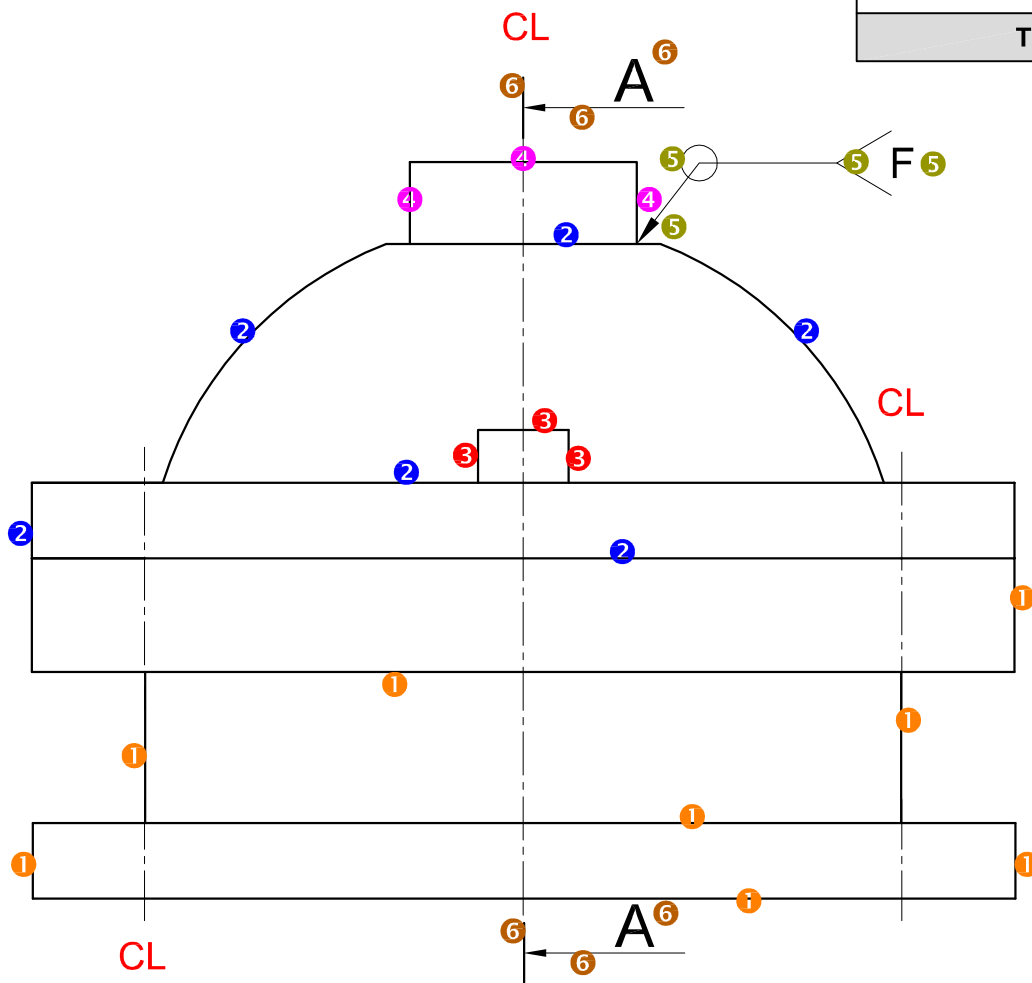
PAPER 2 QUESTION 4
 GRADE 12
 November 2014
 MEMORANDUM

ASSESSMENT CRITERIA		
TOP VIEW		
1	CYLINDER HEAD	3½
2	SOCKET HEAD BOLT	1½
3	OUTLET PIPE	1
SUBTOTAL		6



PAPER 2 QUESTION 4
 GRADE 12
 November 2014
 MEMORANDUM

ASSESSMENT CRITERIA		
LEFT VIEW		
1	CYLINDER	4
2	CYLINDER HEAD	3
3	SOCKET HEAD BOLT	1½
4	OUTLET PIPE	1½
5	WELDING SYMBOL	2
6	CUTTING PLANE	3
SUBTOTAL		15
GENERAL		
1	CENTRE LINES	6
2	ASSEMBLY	8
SUBTOTAL		14
PENALTIES (-)		
TOTAL		95



ALLOCATE 1 MARK FOR EACH COMPONENT CORRECTLY ASSEMBLED (9 PARTS - 1 = 8)

PAPER 2 QUESTION 4
 GRADE 12
 November 2014
 MEMORANDUM